

CUSTOMER PART No.

CUSTOMER

**CAN ART STD.**

DIE No.

**EH05179**

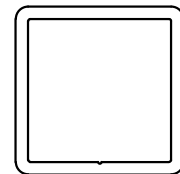
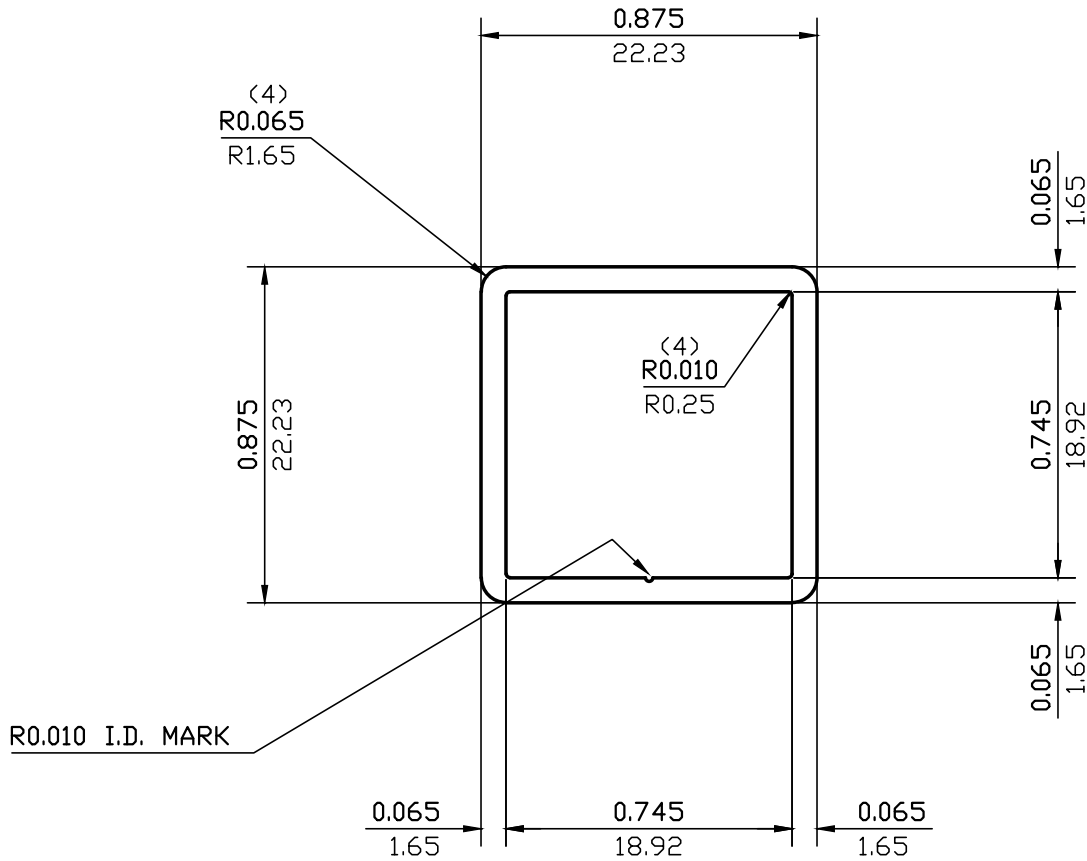
DESCRIPTION

**7/8" x 7/8" x 0.065" THK. SQ. TUBE**

PROPOSAL No.

**H-963**

NOTE: BREAK ALL CORNERS WITH 0.015" (.38 MM) RADIUS UNLESS OTHERWISE NOTED. STANDARD TOLERANCES TO APPLY UNLESS OTHERWISE SPECIFIED.



ACTUAL SIZE

WALL THICKNESS **0.065 (1.65)** EXCEPT AS SHOWN

DATE	REV	DESCRIPTION		BY
EST.AREA	<b>0.207</b>	IN. <sup>2</sup>	EST.AREA	<b>133</b>
EST.WT.	<b>0.244</b>	LBS/FT.	EST.WT.	<b>0.363</b>
EST.PER.	<b>6.363</b>	IN.	EST.PER.	<b>161.6</b>
OUT PER.	<b>3.388</b>	IN.	OUT PER.	<b>86.1</b>
C.C.D.	<b>1.184</b>	IN.	C.C.D.	<b>30</b>
FACTOR	<b>26</b>	FINISH	<b>M/F</b>	ALLOY & TEMP.
CKD BY	<b>2:1</b>	SCALE	<b>2:1</b>	DATE
		DWN BY	<b>G.M.</b>	<b>11/23/88</b>

**CAN ART**

ALUMINUM EXTRUSION INC.

85 PARKSHORE DRIVE  
BRAMPTON, ONT L6T 5M1  
TEL. NO. (905) 791-1464  
FAX NO. (905) 791-9151  
E-MAIL: canart@canart.com

THIS DRAWING IS NOT NECESSARILY A COPY OF YOUR ORIGINAL. PLEASE APPROVE DIMENSIONS AND TOLERANCES INDICATED. CAN ART ASSUMES NO RESPONSIBILITY EITHER TECHNICAL OR LEGAL FOR HAVING THIS SHAPE MADE. THE CUSTOMER AGREES TO FULLY PROTECT CAN ART ALUMINUM FROM CLAIMS OF OTHERS RESULTING FROM THIS SHAPE.

SIGNED: \_\_\_\_\_ DATE: \_\_\_\_\_